

Type PLT Series Connection Kits

UL:
Class I, Division 2, Groups A, B, C, D
Class II, Division 2, Groups F, G

CSA:
Class I, Division 2, Groups B, C, D
Class II, Division 2, Groups E, F, G
Class I, Zone 2, Group IIB+H₂

FM:
Class I, Division 2, Groups A, B, C, D
Class II, Division 1, Groups E, F, G
Class I, Zone 2, Group IIC

Applications

- Approved for use in ordinary (unclassified) and Division 2 hazardous areas when used with approved Nelson heating cables.
- PLT Series connection kits are approved for use with all Nelson CLT, LT, HLT, XLT and NC Series field-fabricated heating cables.

Features

- Non-metallic connection kits
- The PLT-BC Power Connection Kit is suitable for connecting up to two heating cables to customer supplied power wiring—
- Kit Contents:
 - 1 Universal Base, Box Adapter, Sealing Gasket, O-Ring and Locknut
 - 1 Junction Box with Sealing Gasket and Cover
 - 1 Sealing Grommet (Specify Cable Construction ①)
 - 1 Power Termination and Cable End Seal with Adhesive Sealant
 - 3 Power Terminations and 2 Cable End Seals with Adhesive Sealant
 - 1 3-Point Floating Terminal Block
 - 1 Ground Connection Splice
 - 2 Stainless Steel Pipe Clamps (specify pipe size)
- The PLT-BS Splice Connection Kit is designed for connecting two heating cables in an in-line splice configuration.
- Kit Contents:
 - 1 Universal Base, Box Adapter, Sealing Gasket, O-Ring and Locknut
 - 1 Junction Box with Sealing Gasket and Cover
 - 1 Universal Sealing Grommet
 - 2 Power Terminations with Adhesive Sealant
 - 1 3-Point Floating Terminal Block
 - 1 Ground Connection Splice
 - 2 Stainless Steel Pipe Clamps (specify pipe size)
- The PLT-BY Tee Connection Kit is designed for connecting three heating cables in a tee splice configuration.
- Kit Contents:
 - 1 Universal Base, Box Adapter, Sealing Gasket, O-Ring and Locknut
 - 1 Junction Box with Sealing Gasket and Cover
 - 1 Watertight Connection Fitting and Hi-Temp Flexible Tubing
 - 1 Sealing Grommet (Specify Cable Construction) ②
 - 3 Power Terminations and 2 Cable End Seals with Adhesive Sealant
 - 1 3-Point Floating Terminal Block
 - 1 Ground Connection Splice
 - 2 Stainless Steel Pipe Clamps (specify pipe size) ③

Certifications and Compliances

- UL Standard: 50 Ed. 12
- UL Listed: E53501, E49805
- CSA Standard: C22.2 No. 130-16, C22.2 No. 94-R2011, C22.2 No. 213-16
- CSA Certified: LR42103, LR42104
- FM Standard: FM3616: 2011
- FM Approved: JI 1B7A1.AX, JI 3B3A6.AX
- Other Standards: IEEE 515-2011, IEEE 515.1-2012, ANSI/ISA 12.12.01-2015

Notes:

- ① Selection of -U grommet includes (1) additional power termination and (1) additional end seal for multiple cable entry.
② Power terminations and cable end seals with adhesive sealant
③ Number of cable terminations based on standard usage of tee splice configuration; (3) power terminations and (2) end seals.



PLT-BC



PLT-BS



PLT-BY

Type PLT Series Connection Kits

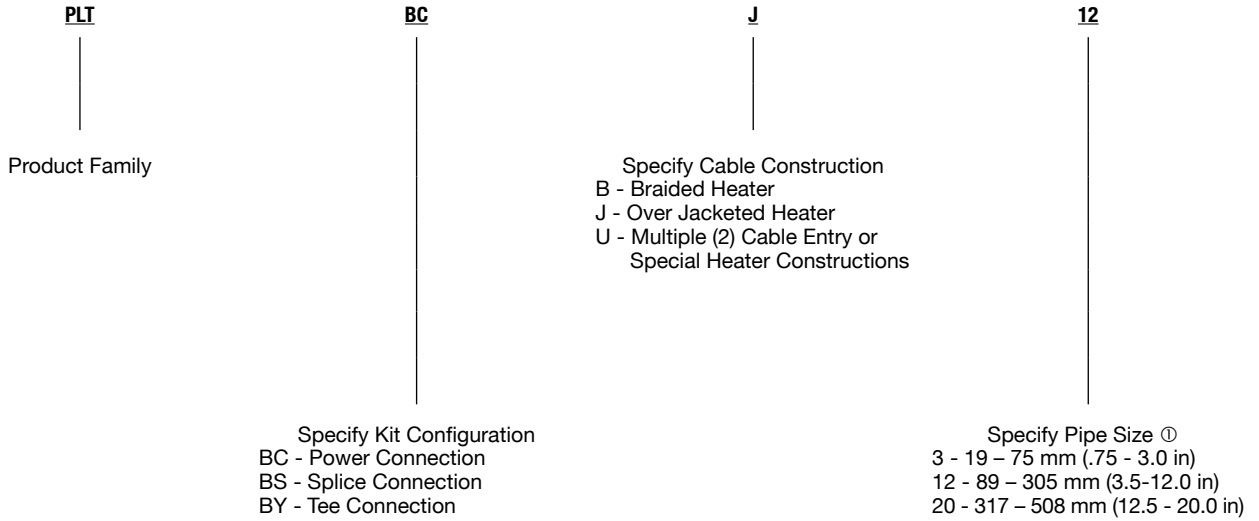
UL:
 Class I, Division 2, Groups A, B, C, D
 Class II, Division 2, Groups F, G

CSA:
 Class I, Division 2, Groups B, C, D
 Class II, Division 2, Groups E, F, G
 Class I, Zone 2, Group IIB+H₂

FM:
 Class I, Division 2, Groups A, B, C, D
 Class II, Division 1, Groups E, F, G
 Class I, Zone 2, Group IIC

Nelson PLT Series non-metallic connection kits include all components necessary to complete the installation of our full line of heat tracing cables. The selection tables below allow for the proper specifying of the complete connection kit assembly (example: PLT-BC-J-12).

Catalog Numbering Guide



COMMERCIAL/LITE INDUSTRIAL HEATING SYSTEMS: CONNECTION SYSTEMS



NELSON

Note:

① Suitable for use with any approved industrial enclosure with a maximum wall thickness of .1875" or conduit outlet/junction box with .75" threaded hubs.